

DS

Self Priming Centrifugal Pump

**Super
T SERIES****Basic Pump
Model T10A3S-B
Size 10" x 10"**

PUMP SPECIFICATIONS

Size: 10" x 10" (254 mm x 254 mm) Flanged.
Pump Casing: Gray Iron No. 30. Maximum Operating Pressure 99 psi (683 kPa).
Open Type, Two Vane Impeller: Ductile Iron No. 65-45-12. Handles 3" (76.2 mm) Diameter Spherical Solids.
Impeller Shaft: Stainless Steel No. 17-4 PH.
Replaceable Front Wear Plate: Ductile Iron No. 65-45-12.
Replaceable Rear Wear Plate: Carbon Steel Plate.
Removable Clean-out Cover Plate: Gray Iron No. 30; 9 lbs. (4 kg).
Flap Valve: Neoprene w/Steel Reinforcing.
Bearing Housing: Gray Iron No. 30.
Seal Plate: Gray Iron No. 30.
Shaft Sleeve: Alloy Steel No. 4130.
Radial/Thrust Bearings: Open Double Ball.
Bearing and Seal Cavity Lubrication: SAE No. 30 Non-Detergent Oil.
Suction Flange: 125# Gray Iron No. 30.
Suction Head: Gray Iron No. 30.
Gaskets: Buna-N, PTFE, Cork, and Rubber.
O-Rings: Buna-N.
Hardware: Standard Plated Steel.
Brass Pressure Relief Valve.
Bearing and Seal Cavity Oil Level Sight Gauges.
Optional Equipment: Metal Bellows Seal. Automatic Air Release Valve. High Pump Temperature Shutdown Kit. 120V/240V Casing Heater. Gray Iron No. 30 Spool Flanges; 10" ASA Discharge.
 250 mm DIN 2527 Suction and Discharge
(Specify Model T10A3S-B /FM).

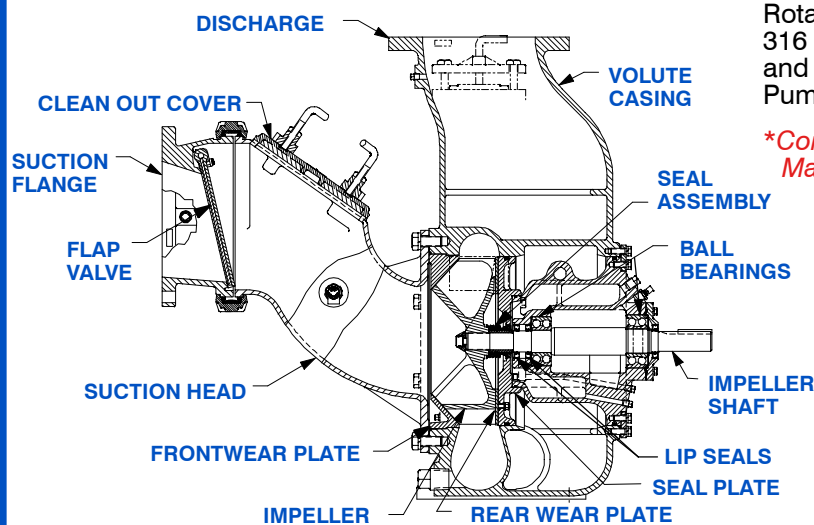


Optional Flanges Available in ASA or DIN Standard Sizes.

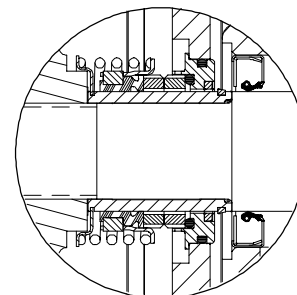
SEAL SPECIFICATIONS

Cartridge Type, Mechanical, Oil-Lubricated, Double Floating, Self-Aligning. Tungsten Titanium Carbide Rotating and Stationary Faces. Stainless Steel No. 316 Stationary Seat. Stainless Steel No. 18-8 Cage and Spring. Maximum Temperature of Liquid Pumped, 160°F (71°C).*

**Consult Factory for Applications Exceeding Maximum Pressure and/or Temperature Indicated.*



SEAL DETAIL

**THE GORMAN-RUPP COMPANY • MANSFIELD, OHIO**

GORMAN-RUPP OF CANADA LIMITED • ST. THOMAS, ONTARIO, CANADA

www.gormanrupp.com

Specifications Subject to Change Without Notice

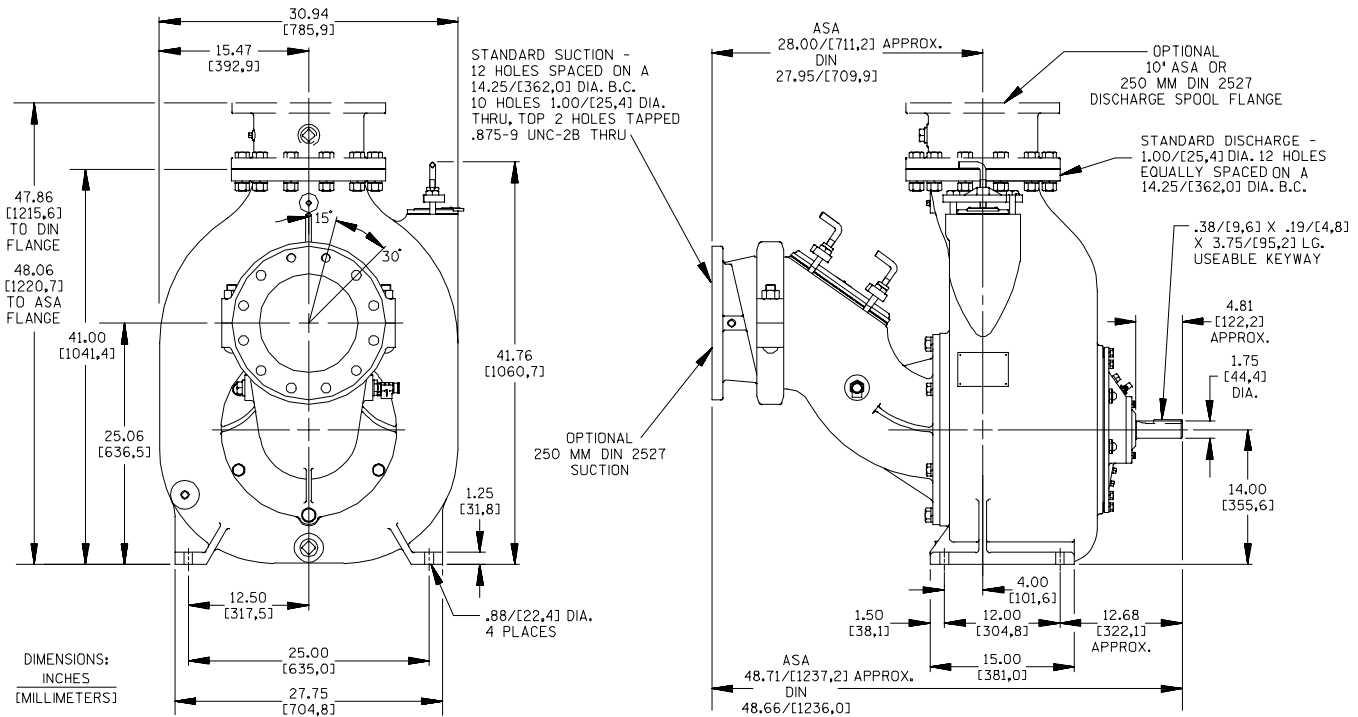
Printed in U.S.A.

Specification Data

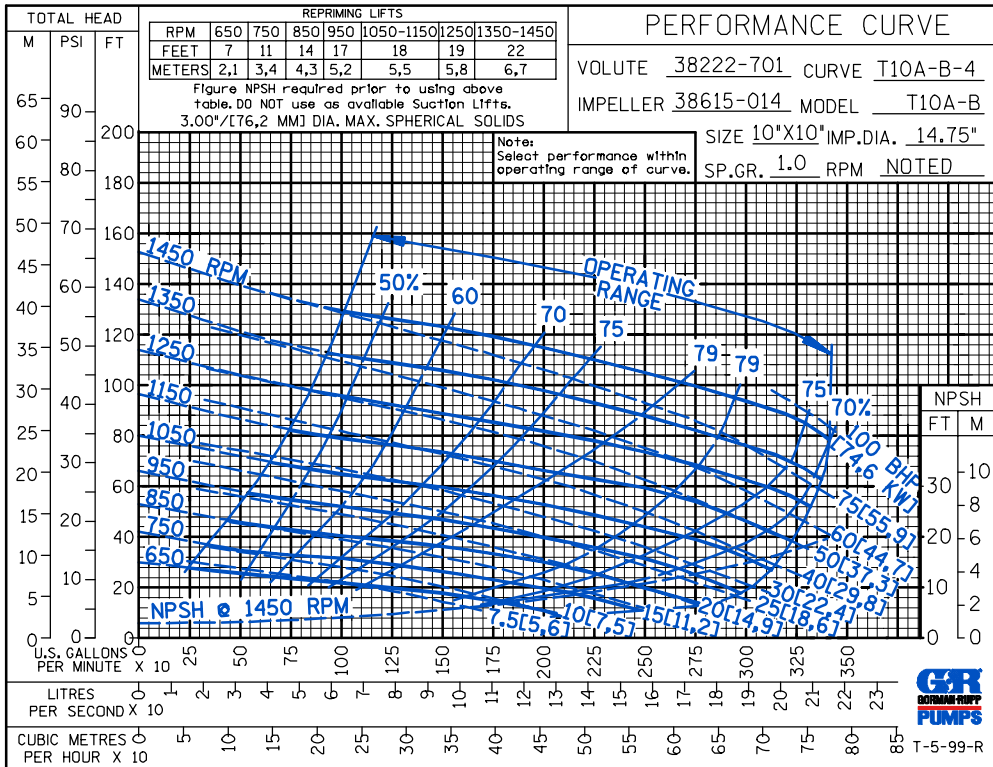
SECTION 55, PAGE 2400

APPROXIMATE DIMENSIONS and WEIGHTS

NET WEIGHT: 1401 LBS. (635 KG.)*
SHIPPING WEIGHT: 1461 LBS. (663 KG.)*
EXPORT CRATE: 53.0 CU. FT. (1,5 CU. M.)
***ADD 71 LBS. (32,2 KG.) W/DISCH SPOOL FLANGE**



OPTIONAL ASA OR DIN STANDARD SPOOL FLANGES AVAILABLE



THE GORMAN-RUPP COMPANY • MANSFIELD, OHIO

GORMAN-RUPP OF CANADA LIMITED • ST. THOMAS, ONTARIO, CANADA

Specifications Subject to Change Without Notice

Printed in U.S.A.